



Magnum Force Series Horizontal Hog

6800

Specifications

Overall	
Length	48' 1"
Height	11' 11"
Width	11' 2"
Weight	App. 78,000 pounds (w/CAT 3412)
Box	
Length	11' 6"
Width	60"
Output conveyor	
Length	30'
Width	60"
Rotor	
Length	60"
Diameter	40"
Weight	7,100 pounds
Hammers	24
Hammer Weight	66 pounds, each
Tips, Reversible	7 pounds, each

Throughput	
Up to 200 tons/hour	
Power	
Diesel	CAT C18 700 HP; standard CAT3412E 1030 HP optional Effective 2006 CAT C27 1100HP will replace 3412E
Electric	Two (2) 300-500 HP motors
Electrical	
Radio remote control for all functions, with full, independent mechanical backup	



At only 78,000 pounds, the 6800 is specifically engineered to be transported on a standard lowboy.

Features

- Portable, stationary, or track mounted
- Highest throughput – up to 200 tons/hour
- Clamshell opening for ease of maintenance
- Twin Disc Hydraulic Clutch
- Full radio remote control
- Built in pre-screener for by-pass of abrasive fines
- Shear pin protection
- Replace-A-Face™ hammer system
- Choice of two CAT engines up to 1050 HP
- CBI IntelliGrind™ control system



As productive as a 30" chipper with a fraction of the prep and maintenance.

Description

The Magnum Force Series 6800 Horizontal Hog is built specifically for land clearing companies and yard waste processors who demand high volume throughput and maximum reliability – and is the first grinder ever made that can grind whole trees as fast as a 30" chipper can chip. The 6800 features a unique clamshell opening for ease of maintenance; high torque, hydrostatic feed system; Twin Disc hydraulic clutch; and a choice of two CAT power plants. The 4" thick, high strength rotor core is shear pin protected, and the entire system is controlled by CBI's new IntelliGrind logic that incorporates feed speed that varies automatically with engine load, and an optional modem communications system that provides for real-time system diagnostics, analysis, and operating program adjustments allowing the operator to optimize performance while avoiding costly downtime. Available in portable, stationary, or track-mounted versions, the 6800 is the perfect solution for your wood processing needs, no matter the location or application.

Hog and Rotor

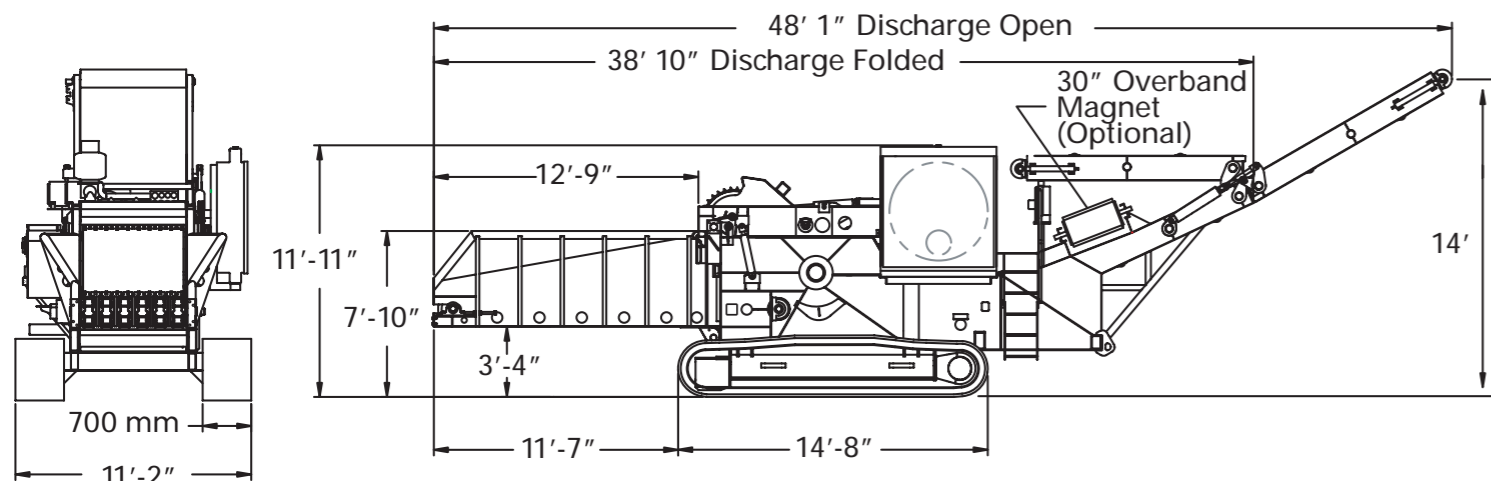
The hog box has a unique clamshell design providing full access for maintenance and a direct line to lift and remove grates. The push of a single lever retracts the two main lock pins, and a second lever activates two hydraulic cylinders that lift the entire upper section to a very service-friendly, just over center-vertical position. A side door allows for optional access for removal of the bottom screen. The 6800's three-grate system, allows for product size that can be easily customized depending on feedstock and end product requirements. Several sizes and patterns are available ranging from 1"x2" regrind grates, up to 6"x9" for high production on primary grind. Anvil and grates are supported by heavy duty shear pins for rotor protection.

The hog chamber is a heavy-duty reinforced housing with 100% continuous welds, providing maximum corrosion resistance, and the ultimate in rigidity and strength. Bolt-in, Hardox 400 wear liners simplify maintenance. Other features include a 39" diameter upper feed roller with a built in high-torque Poclair hydraulic motor; hydraulic up and down pressure; extra heavy-duty grate frame with three replaceable grate liners. The 40"Dx60"L upswing rotor features a forged 4" thick drum wall with 24 machine pockets, providing an effective shaft diameter of 26"; 24 bolt-on hammers with five 1-1/4" bolts per hammer; and 24 bolt-on tips using one 1-1/18" bolt per tip. The rotor is locked to the shaft by four B-Loc locking assemblies. CBI's new Replace-A-Face™ hammer system allows the operator to swap out the face independent of the rest of the hammer for quick, easy, and inexpensive repairs.

Frame

Heavy-duty formed sections with tubular cross members properly reinforced for the highest torsion loads and strength, designed for bolt-on tracks with adjustable ground clearance, overband magnet (optional), and standard six, or optional twelve, cylinder CAT engine. The wide flange and tubular lattice structure provide high rigidity and strength, while greatly reducing weight.

Tracks supplied by Intertractor come equipped with CAT componentry. Bonfiglioli high torque drives deliver over 78,000 pounds of draw bar pull, and, combined with triple-grousered tracks up to 700mm wide, allow for almost unlimited off road travel.



The CBI difference: More Value — by Design

Continental Biomass Industries, Inc.

World's Best Stationary and Portable Material Recovery Systems
22 Whittier Street, Newton, NH 03858
Phone: 603-382-0556 Fax: 603-382-0557
Web: cbi-inc.com Email: info@cbi-inc.com

Distributed by:

